

- 1
- 2
- 3
- 4
- 5
- 6
- 7
- 8
- 9
- 10
- 11
- 12
- 13
- 14
- 15
- 16
- 17
- 18

## TYPES

- Type **B**: Smooth contact face, turned
- Type **G**: Smooth contact face, ground
- Type **K**: Spherical contact face, turned

## Steel **ST**

- case hardened
- blackened

## FEATURES AND APPLICATIONS

GN 408.1 positioning and supporting elements are used for mounting and positioning of parts for machining. They can also be used as stops, thrust pieces or feet.

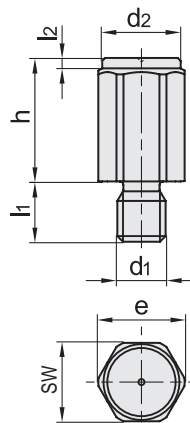
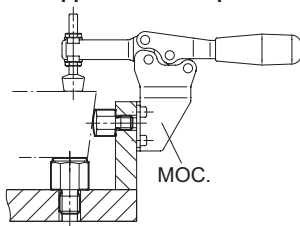
Type G is especially suited for applications in which the height of the supporting surfaces must be as precise as possible. On uneven or inclined surfaces, such as unmachined parts, the curved supporting surface of type K offers particular advantages.

## ON REQUEST

- other dimensions
- other materials

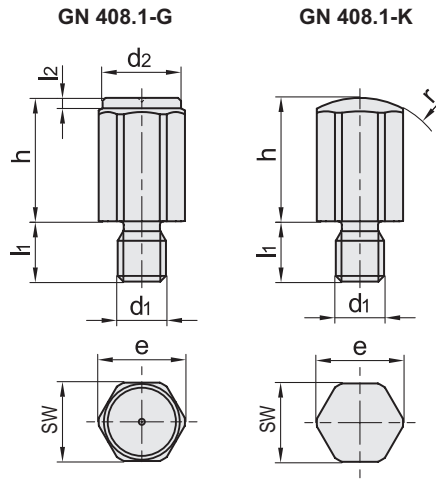


### Application example



## GN 408.1-B

Code	Description	d1	d2	h ±0.05	l1	l2	sw	e	⚖
GN.41801	GN 408.1-ST-10-M6-B	M6	10	10	8	0.8	10	11	8
GN.41811	GN 408.1-ST-16-M6-B	M6	10	16	8	0.8	10	11	12
GN.41831	GN 408.1-ST-25-M6-B	M6	10	25	8	0.8	10	11	18
GN.41806	GN 408.1-ST-12-M8-B	M8	13	12	10	1	13	14.3	17
GN.41821	GN 408.1-ST-20-M8-B	M8	13	20	10	1	13	14.3	26
GN.41851	GN 408.1-ST-30-M8-B	M8	13	30	10	1	13	14.3	37
GN.41816	GN 408.1-ST-16-M10-B	M10	17	16	12	1.2	17	18.7	44
GN.41836	GN 408.1-ST-25-M10-B	M10	17	25	12	1.2	17	18.7	54
GN.41871	GN 408.1-ST-40-M10-B	M10	17	40	12	1.2	17	18.7	83
GN.41826	GN 408.1-ST-20-M12-B	M12	19	20	14	1.6	19	20.9	58
GN.41861	GN 408.1-ST-32-M12-B	M12	19	32	14	1.6	19	20.9	87
GN.41881	GN 408.1-ST-50-M12-B	M12	19	50	14	1.6	19	20.9	130
GN.41841	GN 408.1-ST-25-M16-B	M16	27	25	19	2	27	29.7	146
GN.41876	GN 408.1-ST-40-M16-B	M16	27	40	19	2	27	29.7	219
GN.41891	GN 408.1-ST-60-M16-B	M16	27	60	19	2	27	29.7	315



## GN 408.1-G

Code	Description	d1	d2	h ±0.01	l1	l2	sw	e	⚖
GN.41802	GN 408.1-ST-10-M6-G	M6	10	10	8	0.8	10	11	8
GN.41812	GN 408.1-ST-16-M6-G	M6	10	16	8	0.8	10	11	12
GN.41832	GN 408.1-ST-25-M6-G	M6	10	25	8	0.8	10	11	18
GN.41807	GN 408.1-ST-12-M8-G	M8	13	12	10	1	13	14.3	17
GN.41822	GN 408.1-ST-20-M8-G	M8	13	20	10	1	13	14.3	26
GN.41852	GN 408.1-ST-30-M8-G	M8	13	30	10	1	13	14.3	37
GN.41817	GN 408.1-ST-16-M10-G	M10	17	16	12	1.2	17	18.7	44
GN.41837	GN 408.1-ST-25-M10-G	M10	17	25	12	1.2	17	18.7	54
GN.41872	GN 408.1-ST-40-M10-G	M10	17	40	12	1.2	17	18.7	83
GN.41827	GN 408.1-ST-20-M12-G	M12	19	20	14	1.6	19	20.9	58
GN.41862	GN 408.1-ST-32-M12-G	M12	19	32	14	1.6	19	20.9	87
GN.41882	GN 408.1-ST-50-M12-G	M12	19	50	14	1.6	19	20.9	130
GN.41842	GN 408.1-ST-25-M16-G	M16	27	25	19	2	27	29.7	146
GN.41877	GN 408.1-ST-40-M16-G	M16	27	40	19	2	27	29.7	219
GN.41892	GN 408.1-ST-60-M16-G	M16	27	60	19	2	27	29.7	315

## GN 408.1-K

Code	Description	d1	h ±0.05	l1	r	sw	e	⚖
GN.41803	GN 408.1-ST-10-M6-K	M6	10	8	15	10	11	8
GN.41813	GN 408.1-ST-16-M6-K	M6	16	8	15	10	11	12
GN.41833	GN 408.1-ST-25-M6-K	M6	25	8	15	10	11	18
GN.41808	GN 408.1-ST-12-M8-K	M8	12	10	20	13	14.3	17
GN.41823	GN 408.1-ST-20-M8-K	M8	20	10	20	13	14.3	25
GN.41853	GN 408.1-ST-30-M8-K	M8	30	10	20	13	14.3	36
GN.41818	GN 408.1-ST-16-M10-K	M10	16	12	30	17	18.7	46
GN.41838	GN 408.1-ST-25-M10-K	M10	25	12	30	17	18.7	53
GN.41873	GN 408.1-ST-40-M10-K	M10	40	12	30	17	18.7	82
GN.41828	GN 408.1-ST-20-M12-K	M12	20	14	35	19	20.9	57
GN.41863	GN 408.1-ST-32-M12-K	M12	32	14	35	19	20.9	86
GN.41883	GN 408.1-ST-50-M12-K	M12	50	14	35	19	20.9	129
GN.41843	GN 408.1-ST-25-M16-K	M16	25	19	50	27	29.7	143
GN.41878	GN 408.1-ST-40-M16-K	M16	40	19	50	27	29.7	215
GN.41893	GN 408.1-ST-60-M16-K	M16	60	19	50	27	29.7	311